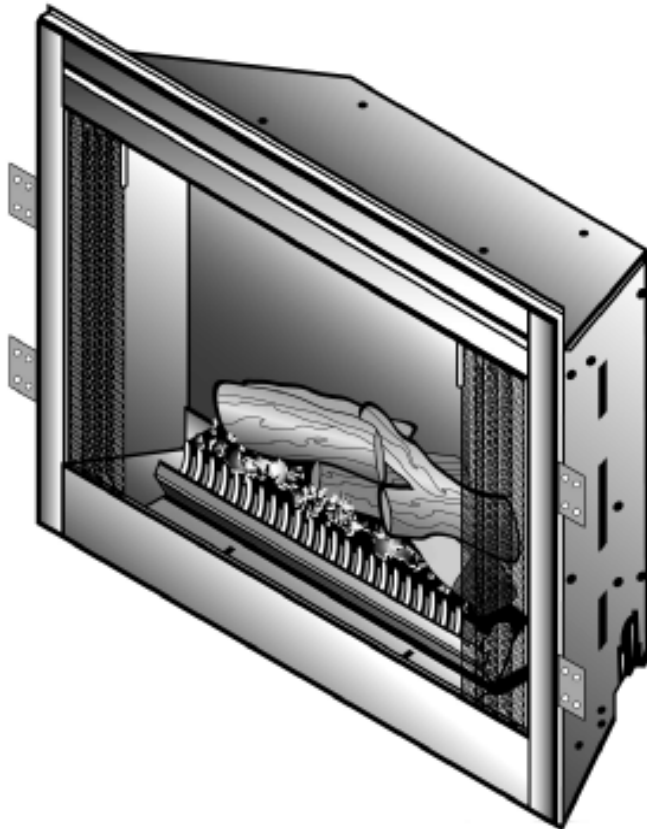




**INSTALLATION & USERS GUIDE  
FOR THE  
ELECTRIC INSERT FIREPLACE  
BF 42" series**



## **QUICK REFERENCE GUIDE**

### **FOR THE DIMPLEX ELECTRIC FIREPLACE**

1. Prior to the first use of the fireplace verify the following:
  - Are the circuit breakers for the fireplace on?
  - Are the light bulbs in your fireplace loose? (to check, follow the instructions for replacing the light bulbs under the maintenance section of this manual)
2. The heater on your fireplace may emit a slight, harmless odor when first used. This odor is a normal condition caused by the initial heating of internal heater parts and will not occur again.
3. The information regarding the model of your fireplace can be found on the rating plate located on the top or the back of the fireplace.
4. If you have any technical questions, questions regarding the operation of your fireplace, or require service for your fireplace contact DIMPLEX customer service.

# IMPORTANT INSTRUCTIONS

# SAVE THESE INSTRUCTIONS

## PLEASE RETAIN THIS USER'S GUIDE FOR FUTURE REFERENCE

When using electrical appliances, basic precautions should always be followed to reduce the risk of fire, electric shock, and injury to persons, including the following:

1. Read all instructions before using this fireplace.
2. This fireplace is hot when in use. To avoid burns, do not let bare skin touch hot surfaces. The trim around the heater outlet becomes hot during heater operation. Keep combustible materials, such as furniture, pillows, bedding, papers, clothes, and curtains at least 3 feet (0.9m) from the front of the unit.
3. Extreme caution is necessary when any heater is used by or near children or invalids and whenever the fireplace is left operating and unattended.
4. Young children should be supervised to ensure that they do not play with the appliance.
5. The appliance is not intended for use by young children or infirmed persons without supervision.
6. The appliance must be positioned so that the plug is accessible.
7. Always unplug the fireplace when not in use.
8. If the supply cord is damaged, it must be replaced by the manufacturer, or its service agent, or a qualified person in order to avoid a hazard.
9. Do not operate any fireplace with a damaged cord or plug, or if the heater has malfunctioned, or if the fireplace has been dropped or damaged in any manner. Contact an authorized service facility for examination, electrical or mechanical adjustments or repair.
10. Do not use outdoors.
11. Do not use this fireplace in the immediate surroundings of a bath, a shower or a swimming pool.
12. Do not install the fireplace directly on carpet or a similar surface which may restrict air circulation beneath the unit
13. Do not run the cord under carpeting. Do not cover cord with throw rugs, runners, or the like. Arrange cord away from traffic area and where it will not be tripped over.
14. Do not locate the heater immediately below a fixed socket-outlet
15. Do not locate the appliance in front of a fixed socket-outlet
16. To disconnect the fireplace, turn the controls off, then remove the plug from the socket outlet.
17. Do not insert or allow foreign objects to enter any ventilation or exhaust opening as this may cause an electric shock or fire, or damage to the heater.
18. To prevent a possible fire, do not block air intake or exhaust in any manner. Do not use on soft surfaces, like a bed, where openings may become blocked.
19. All electrical heaters have hot and arcing or sparking parts inside. Do not use in areas where gasoline, paint, or flammable liquids are used or stored or where the unit will be exposed to flammable vapors.
20. Do not modify the electric fireplace. Use it only as described in this manual. Any other use not recommended by the manufacturer may cause fire, electric shock or injury to persons.
21. Avoid the use of an extension cord. Extension cords may overheat and cause a risk of fire. If you must use an extension cord, the cord must be a 3 core type and rated no less than 13 amps.
22. Do not burn wood or other materials in this fireplace.
23. Do not strike fireplace glass.
24. Always use a certified electrician should new circuits or socket outlets be required.
25. Always use properly grounded, fused and polarized socket outlets.
26. Disconnect all power supply before performing any cleaning, maintenance or relocation of the fireplace.
27. When transporting or storing the fireplace and cord, keep in a dry place, free from excessive vibration and store so as to avoid damage.
28. **WARNING:** In order to avoid overheating, do not cover the heater
29. **CAUTION:** In order to avoid a hazard due to the inadvertent resetting of the thermal cutout, this appliance must not be supplied through an external switching device, such as a timer, or connected to a circuit that is regularly switched on and off by the utility

**NOTE:** Procedures and techniques that are considered important enough to emphasize.

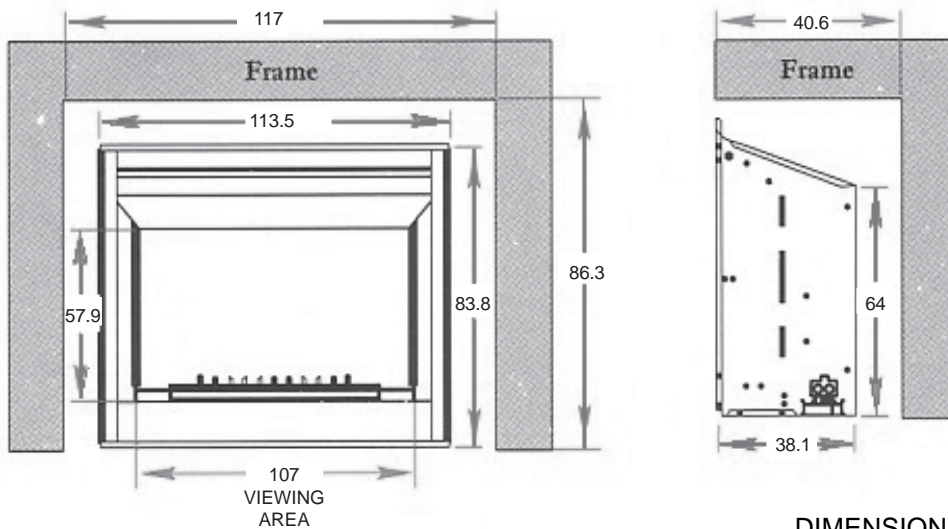
**CAUTION:** Procedures and techniques which, if not carefully followed, will result in damage to the equipment.

**WARNING:** Procedures and techniques which, if not carefully followed, will expose the user to the risk of fire, serious injury, illness or death.

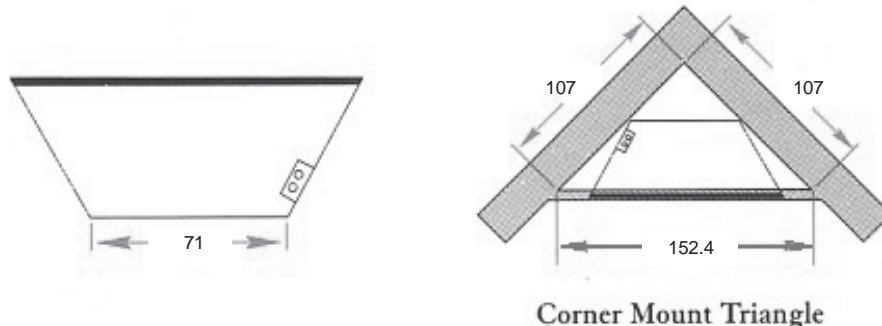
# INSTALLATION

**NOTE:** To prevent personal injury always use a licensed electrician to install new outlets or circuits.

1. Select a suitable location that is not susceptible to moisture and is away from drapes, furniture and high traffic.
2. For ease of electrical connections you may wish to locate the fireplace near an existing power supply outlet. Ensure that the socket outlet will be accessible after installation of the fireplace.
3. Plan your electric power supply. A 10 amp, 240 volt circuit is required. A dedicated circuit is preferred but not essential in all cases. A dedicated circuit will be required if after installation, the circuit breaker or fuse trips. Additional appliances may exceed the current rating of the circuit breaker or fuse.
4. Assemble a surround mantle and place it in the desired location.
5. Remove the fireplace unit from the package.
6. Set the unit in front of the mantle opening. Plug the power supply cord into the socket outlet.
7. Push the fireplace into the surround mantle until the trim is flush with the mantle surface, and centered within the opening.



DIMENSIONS IN CENTIMETERS



Corner Mount Triangle

## REMOTE CONTROL

The fireplace is supplied with a radio frequency remote control (All models except basic controls model). This remote control has a range of approximately 25ft. (7.62m), it does not have to be pointed at the fireplace and can pass through most obstacles (including walls).

### Remote Control Initialization

This procedure may be required every time there is a loss of power to the remote control in the fireplace (i.e. power failure, breaker tripped, main power switch is turned off)

1. Ensure that power is supplied through main service panel.
2. Locate manual controls refer to FIGURE 2.
3. Activate main power switch.
4. Press - (ON) button located on the manual controls selection controls (FIGURE 2) for 3 seconds. All 3 indicators will flash
5. Press the **ON** button on the transmitter (Figure 1). the indicators will now flash rapidly and then turns off.

The transmitter and fireplace receiver is now synchronised

### Remote Control Usage

The remote control operates the fireplace levels sequentially. The level is increased every time the transmitter **ON** button is pressed. The fireplace can be turned off at any point by pressing the **OFF** button on the remote control transmitter.

Level 1: The flame effect is turned on and the first red indicator light illuminates.

Level 2: The flame effect remains on, the heater is activated to the low heat setting, and the first and second red indicator lights illuminates.

Level 3: The flame effect remains on, the heater is set to the high heat setting, and all three red indicator lights illuminates.

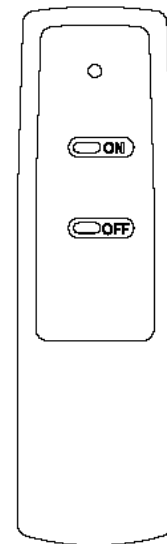


FIGURE 1

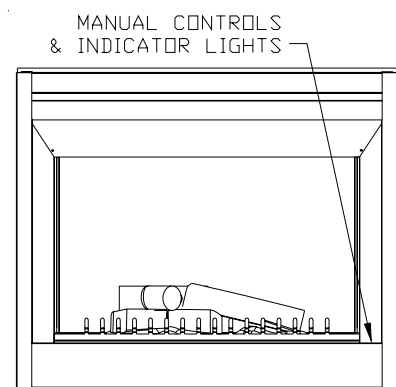


FIGURE 2

## MANUAL CONTROLS

The fireplace can also be controlled in a similar manner to the remote control with switches located on the fireplace

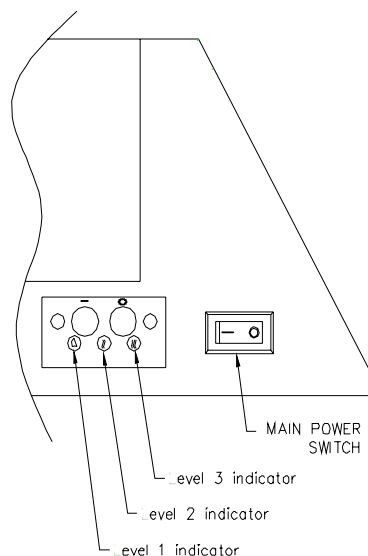
## MODELS WITH REMOTE CONTROL

### Main power switch

Main power switch, supplies power to the remote control receiving unit.

### Heater control switch

Operates fireplace in the same manner as the remote control transmitter. Pressing the **-** side of this switch has the same effect as the **ON** button on the remote control and the **O** side has the same effect as the **OFF** button of the remote control. Pressing **-** once to the left activates Level 1, twice activates Level 2, three times activates Level 3. Pressing the **O** button turns the fireplace off.



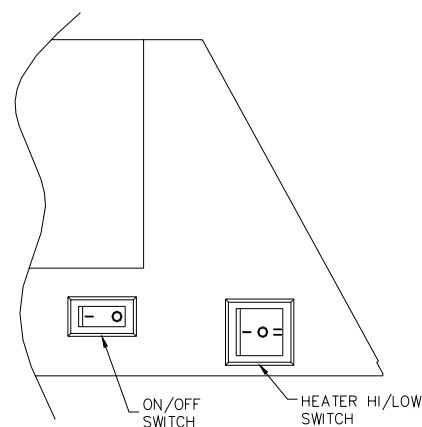
## MODELS WITHOUT REMOTE CONTROL

### Main power switch

Main on/off switch activates flame effect.

### Heater Hi/Low switch

Operates heater selection. Position ( I ) activates low heat (1 KW) setting. Position ( II ) activates high heat (2 KW) setting. Centre position turns heat OFF.



# **MAINTENANCE**

## **Lamp Replacement**

The lamps need to be replaced when you notice a dark section of the flame. There are four lamps under the log set which generate the flames and embers.

It is a good idea to replace all of the lamps at one time if they are close to the end of their rated life. Group replacement will reduce the number of times you need to open the unit to replace the lamps.

### **Warning:**

Disconnect the power before attempting any maintenance or cleaning to reduce the risk of fire, electric shock or injury to persons.

### **Warning:**

Allow at least 10 minutes for the lamps and heater to cool before attempting any maintenance or cleaning.

### **Bulb Requirements**

Quantity 4 clear chandelier or candelabra lamps with an E-14 socket base, 60 watt rating.

## **CAUTION DO NOT EXCEED 60 WATTS PER LAMP**

### **TO REPLACE LAMPS**

1. Open the steel curtains.
2. Remove the log grate retaining screws and remove the log grate.
3. Pull the rear edge of the log set forward by grasping the ember bed by the sides (handle the log set only by the ember bed and not the logs) and pulling firmly until the rear tab pops out from under the back ledge, then lift out.
4. Examine to determine which lamps require replacement.
5. Unscrew lamp counter clockwise.
6. Insert new lamp screwing clockwise.
7. Replace the log set by inserting the front edge, pushing the back down until the rear tab snaps under the back ledge and the logs are resting against the mirror.
8. Replace log grate.

## **WARRANTY**

Dimplex Electric Fireplaces are tested and inspected prior to shipment and are guaranteed from defect to the purchaser of each new product. Any part which proves to be defective in material or workmanship under normal use within one year will be repaired or replaced without charge.\* The Company will not be responsible for any expense incurred for installation, removal from service, or transportation costs. Any such defect should be brought to the attention of the Dealer where the product was purchased and is authorized to repair or replace within the terms of this warranty.

The Company's only obligation under this warranty will be at its sole option to repair or replace any part proving defective or to refund the purchase price thereof.

The owner/user assumes all other risks, if any, including the risk of any direct, indirect or consequential loss or damage arising out of the use of or inability to use the product.

The warranty will not apply if, in the sole judgment of the Company, damage or failure has resulted from accident, alteration, misuse, abuse, incorrect installation, or operation on an incorrect power source.

The foregoing is in lieu of all other warranties expressed, implied, or statutory, and the Company neither assumes, nor authorizes any person to assume for it any other obligation, or liability in connection with said product.

\*Lamps are not covered in the warranty.

---

## **SERVICE**

Dimplex requires that all electric fireplace products are to be field serviced whenever possible. Dimplex electric fireplaces are covered by a free in home service for the period that the fireplace is under warranty. For service call your local Dimplex dealer.

---

The product complies with the European Safety Standard EN60335-2-30 and the European Standard for Electromagnetic Compatibility (EMC) EN55014, EN6055-2 and EN60555-3 which cover the essential requirements of EEG Directives 73/23 and 89/336.